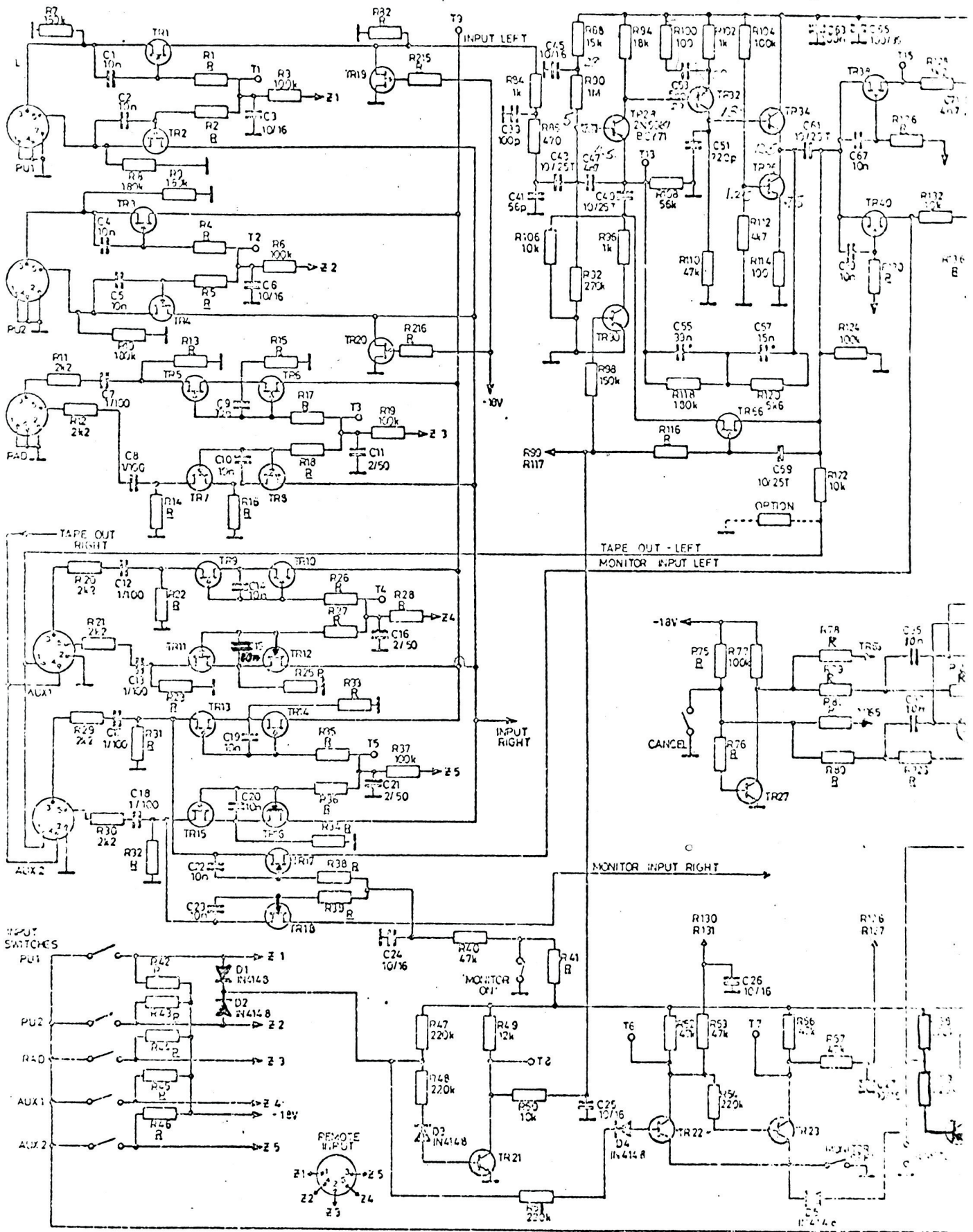
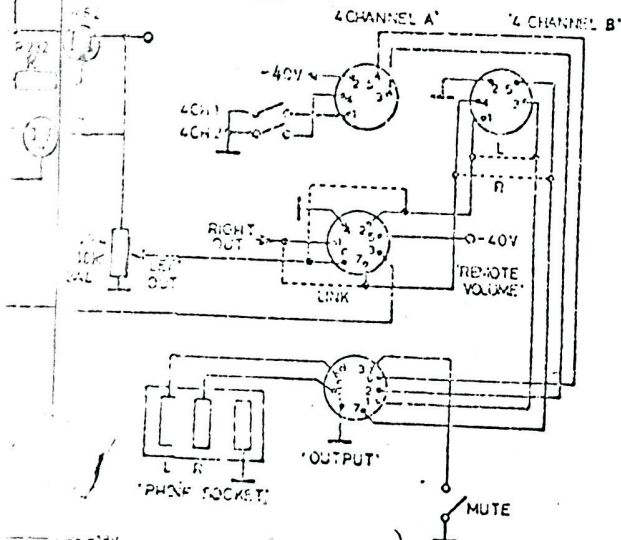
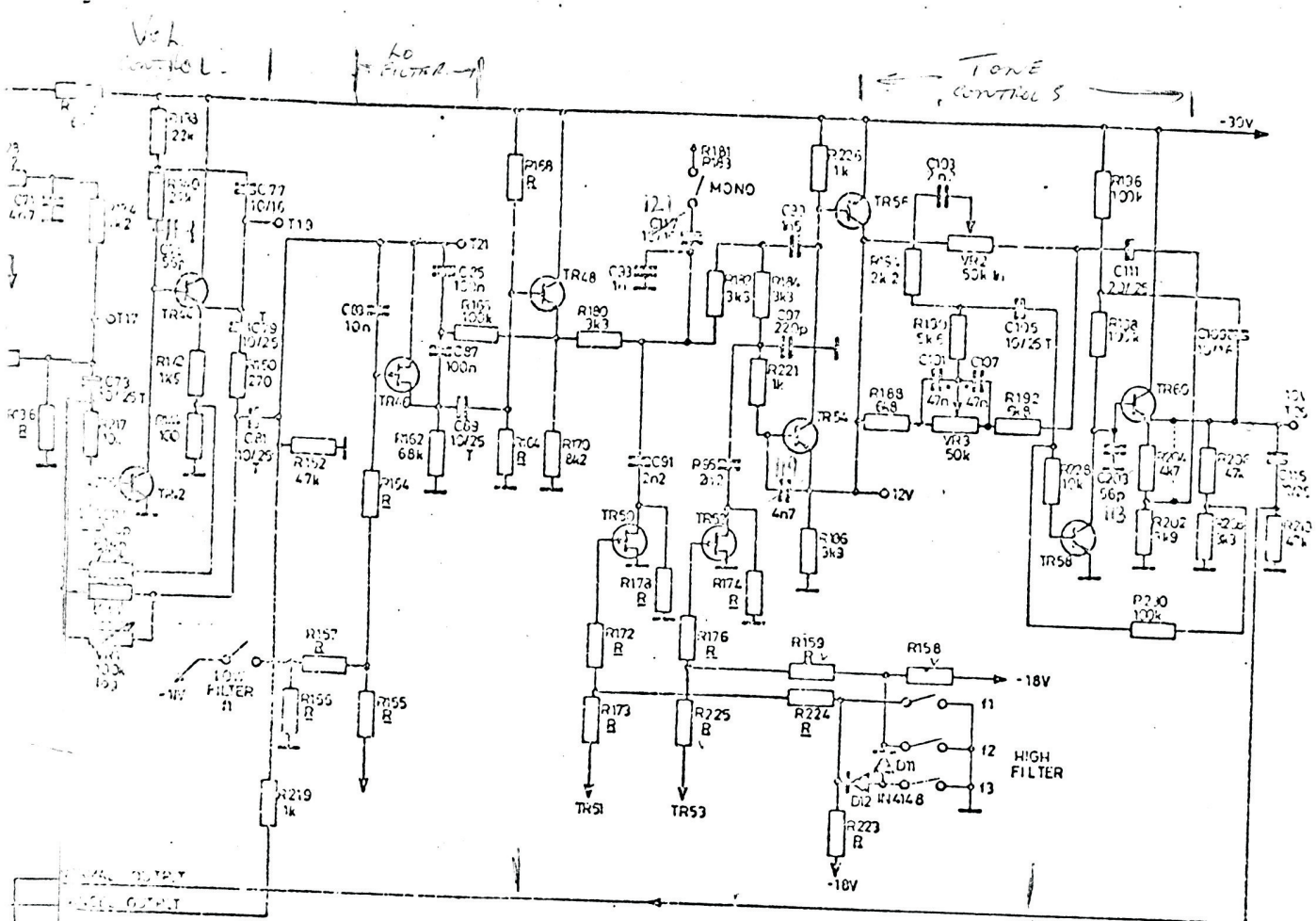


SELECT

EQUALISATION

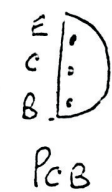
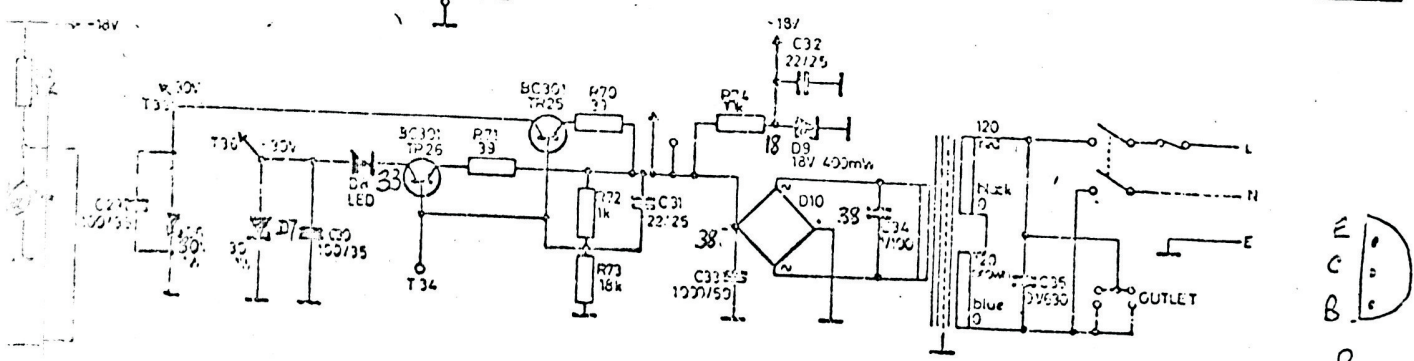




TRANSISTORS	
ALL PETS	
BF244B (A) or	
LEC506 (A) or	
MEF103 (S) or	
UC774E (B)	
ALL PNP EXCEPT TR20L29	
BC214L (C) or	
BC214K (D) or	
ME0412 (D)	
ALL NPN EXCEPT TR 254 26	
BC184L (C) or	
BC184K (D) or	
BC109 (D)	

RESISTORS	
ALL CARBON FILM	
1/2 WATT 5%	
RESISTORS MARKED R	ALL 470 kΩ
FERRITE BEAD	

CAPACITORS	
EXCEPT WHERE MARKED	ALL 50% - 20%
ELECTROLYTICS MARKED T	ARE TANTALUM BEAD TYPE
e.g. 2150 = 2μF/50V	± 5%



PCB FACE.

DATE	DRAWN	ISSUE	TITLE
1974	JRS	3	ACI CONTROL UNIT CIRCUIT DIAGRAM