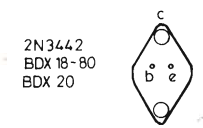
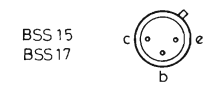
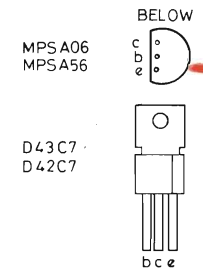


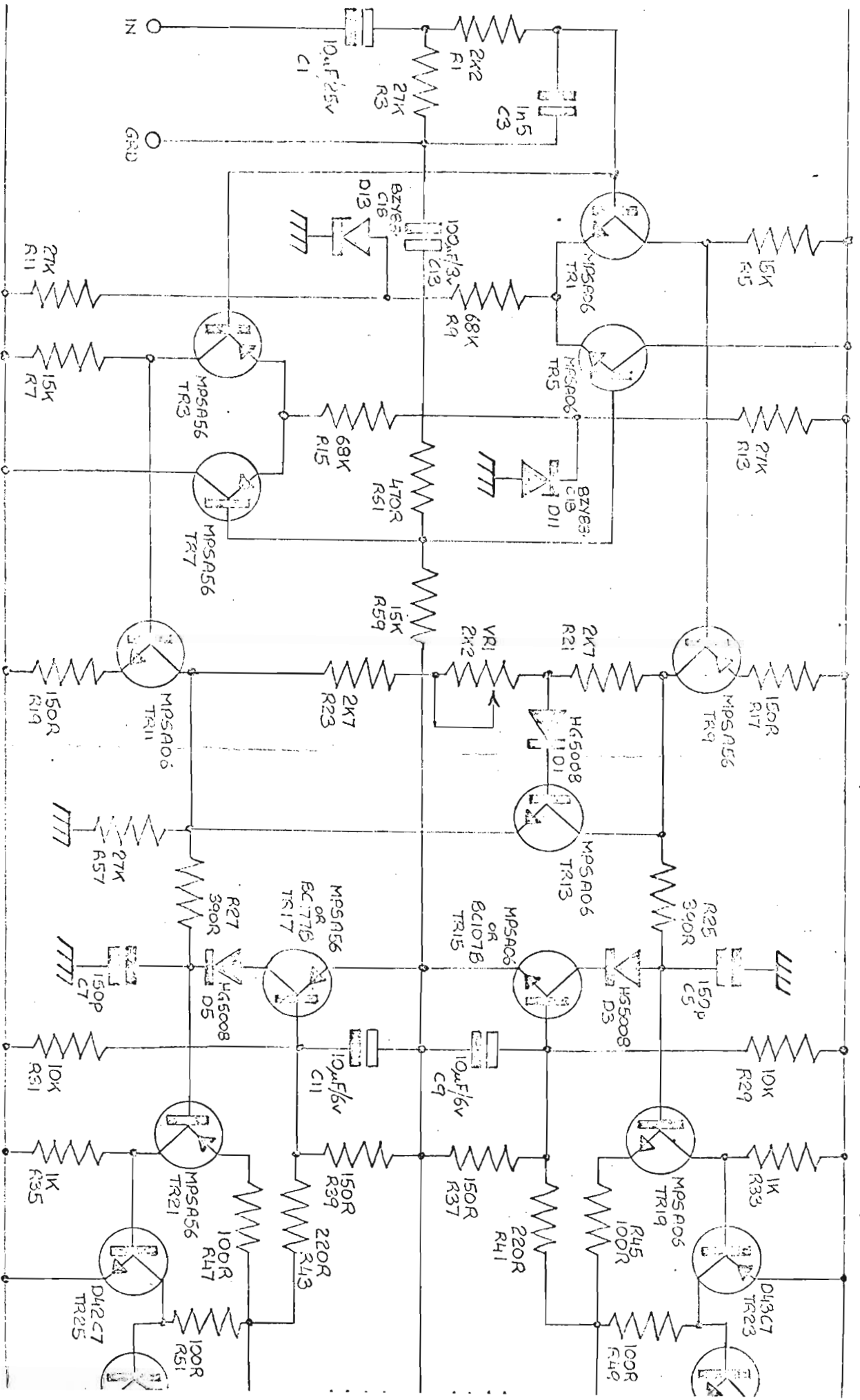
TRANSISTORS



ALL RESISTORS 1/3 W 5% UNLESS STATED OTHERWISE.  
CAPACITORS T TANTALUM BEADS  
VALUES FOR AP2 WHERE DIFFER FROM AP1 SHOWN IN PARENTHESIS.

LECSON AUDIO LTD., BURREL ROAD, ST IVES, HUNTINGDON.

DRAWN B.A.L.	DRAWN J.R.S.	ISSUE 3	UK MARKET ONLY	TITLE CIRCUIT DIAGRAM AP1/(AP2) POWER SUPPLY AND ONE CHANNEL
DATE 1.4.74	DATE 15.3.74.			DRG No



Lesson Auto 100

AP1 Circuit Diagram - L6147

PM 23-1-85

